

PRODUCT INFORMATION PACKET

Model No: 5K48TN6430S
Catalog No: K1515
1.5,1140,DP,56Z,3/60/575
Condenser Fans



Regal and Marathon are trademarks of Regal Beloit Corporation or one of its affiliated companies.
©2018 Regal Beloit Corporation, All Rights Reserved. MC017097E



Nameplate Specifications

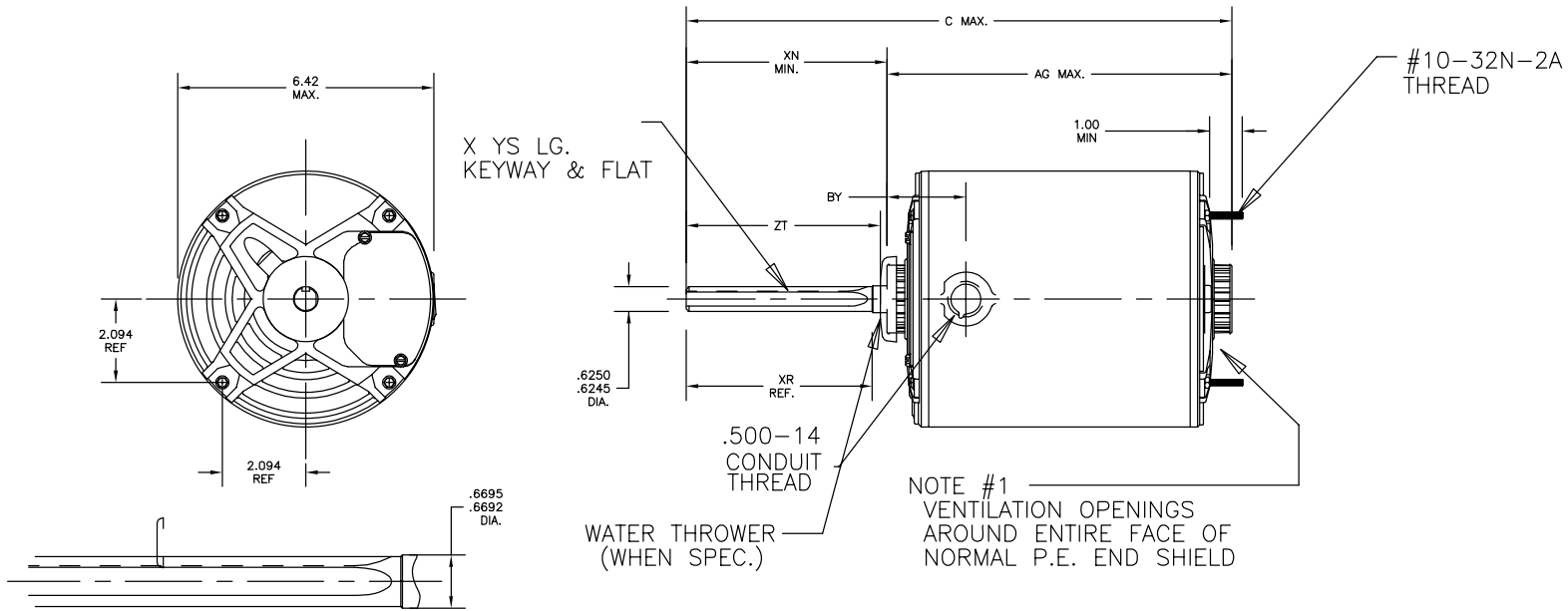
Output HP	1.50 Hp	Output KW	1.1 kW
Frequency	60 Hz	Voltage	575 V
Current	2.2 A	Speed	1140 rpm
Service Factor	1	Phase	3
Efficiency	76.9 %	Duty	Continous
Insulation Class	B	KVA Code	H
Frame	56Z	Enclosure	Drip Proof
Overload Protector	AUTO	Ambient Temperature	65 °C
Drive End Bearing Size	6203	Opp Drive End Bearing Size	6203
UL	Recognized	CSA	Yes
CE	N		

Technical Specifications

Electrical Type	Three Phase	Starting Method	N/R
Poles	6	Rotation	Counterclockwise/Clockwise
Mounting	Round	Motor Orientation	Vsu
Drive End Bearing	BALL	Opp Drive End Bearing	BALL
Frame Material	Rolled Steel	Overall Length	16.72 in
Frame Length	8.43 in	Shaft Diameter	0.630 in
Shaft Extension	6 in	Thru-bolts Extension	1
Outline Drawing	52A110687P3	Connection Diagram	52A110554

This is an uncontrolled document once printed or downloaded and is subject to change without notice. Date Created: 06/29/2018

52A110687

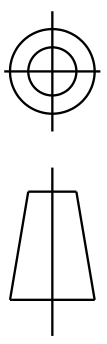


ENLARGED VIEW OF SHAFT EXTENSION

3	K	48	56Z	6.00	16.77	10.65	NOTE #1	8.43	2.07/1.95	5.74	4.00	
2	K	49	56Z	6.00	14.89	8.77	NOTE #1	6.55	2.07/1.95	5.74	4.00	
1	K	49	56Z	6.00	16.02	9.90	NOTE #1	7.68	2.07/1.95	5.74	4.00	5.77 5.73
P	TYPE	RBC SIZE	NEMA FR	XN	C	AG	REMARKS	SHELL LG.	BY	XR	YS	ZT

		TOLERANCES UNLESS SPECIFIED						DRAWN DS 5/23/03				
		DEC. INCHES						CHK				
		.X ±0.1		TITLE				APPD DS 09/8/2014				
B		REPLACED GE WITH RBC PER ECO-0059212		PVN 09/8/2014 DS		.XX ±0.02				SCALE 1=1		
1		CHG TO RBC FORMAT PER ISO5-1777		SUDA 4/25/06		.XXX ±0.005				REF		
NO.		REVISION		BY & DATE		SUDAXXXX ±0.0005				FMF		
				CHK ANG ±1.0		FINISH				PREV		
THIS DRAWING IN DESIGN AND DETAIL IS OUR PROPERTY AND MUST NOT BE USED EXCEPT IN CONNECTION WITH OUR WORK ALL RIGHTS OF DESIGN AND INVENTION ARE RESERVED THIS IS AN ELECTRONICALLY GENERATED DOCUMENT - DO NOT SCALE THIS PRINT				RFP		CAD FILE		52A110687		SIZE DRAWING NO.		REV.
				DIST				A		52A110687		B

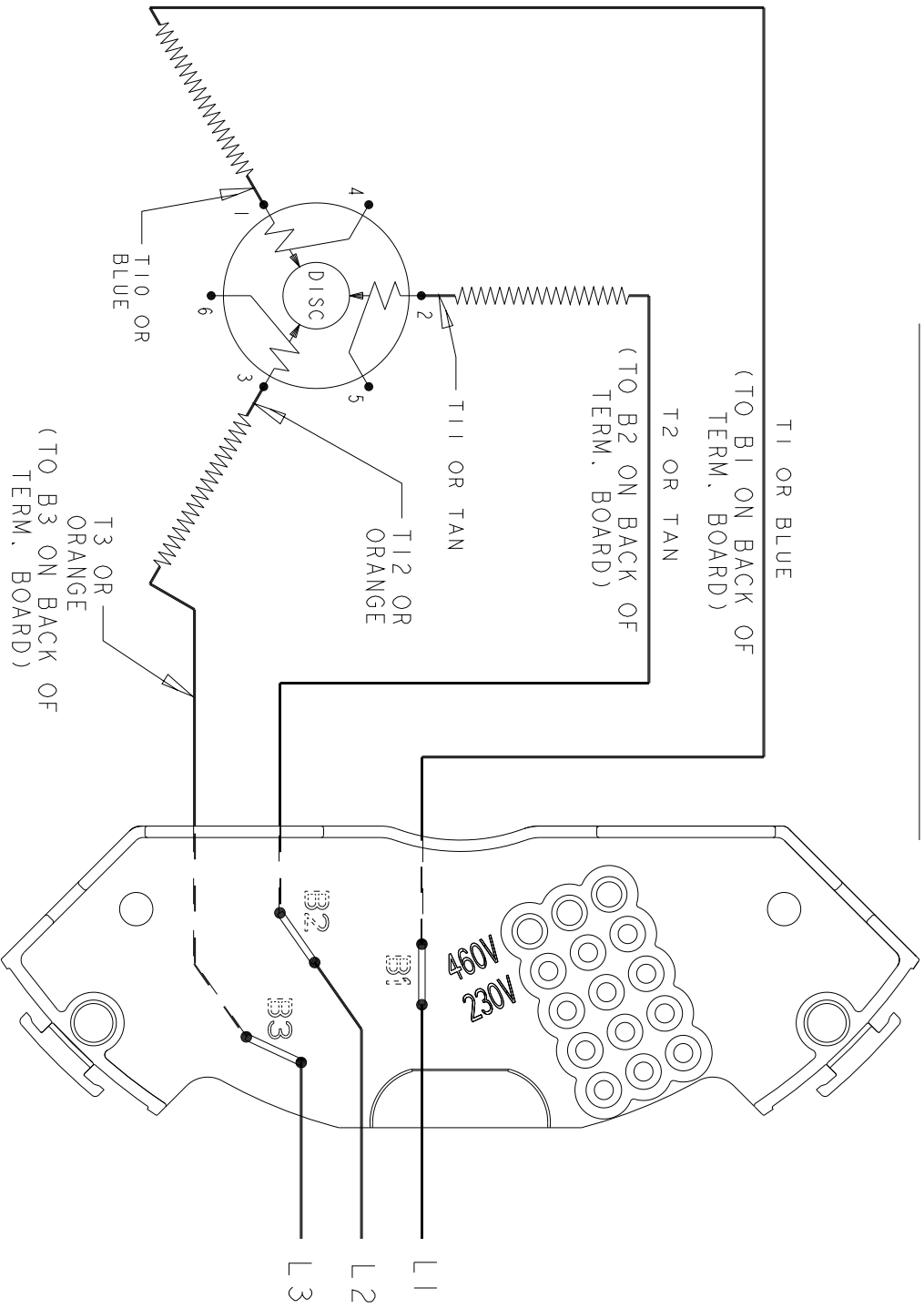
THIRD ANGLE PROJECTION



REVISIONS

REV.	DESCRIPTION	DATE	APPROVED
4	UPDATED TO RBC FORMAT	01/17/06	MAM
5	CHD. ROT. FROM CCW/CW TO DUAL	03/08/13	KARTHIK

DUAL ROTATION - SINGLE VOLTAGE
 TYPE K - THREE PHASE - 3 LEAD
 THERMAL PROTECTION



TO REVERSE ROTATION, INTERCHANGE ANY TWO LINE CONNECTIONS TO L1, L2 OR L3

TERMINAL BOARD - 114D918

REF. DIAG. - NONE

CONNECTION LABEL - NP52X333338AA

SIGNATURES	DATE
MODEL PC MOHAN	09/24/02
DETAIL	
CHECKED	
ENGRG	
MFG	
QUALITY	
ISSUED PC MOHAN	09/24/02
MATERIAL	SOLID MODEL: 52A110554



REGAL-BELOTT CORPORATION

REGAL-BELOTT CONNECTION DIAGRAM

TITLE
FME: TYPE K - VOLTAGE CHANGE DEVICE - SINGLE VOLTAGE
 SIZE: DRAWING A
 SCALE: 1.000 REF. No.:
52A110554 REV 5
 SHEET 1 of 1